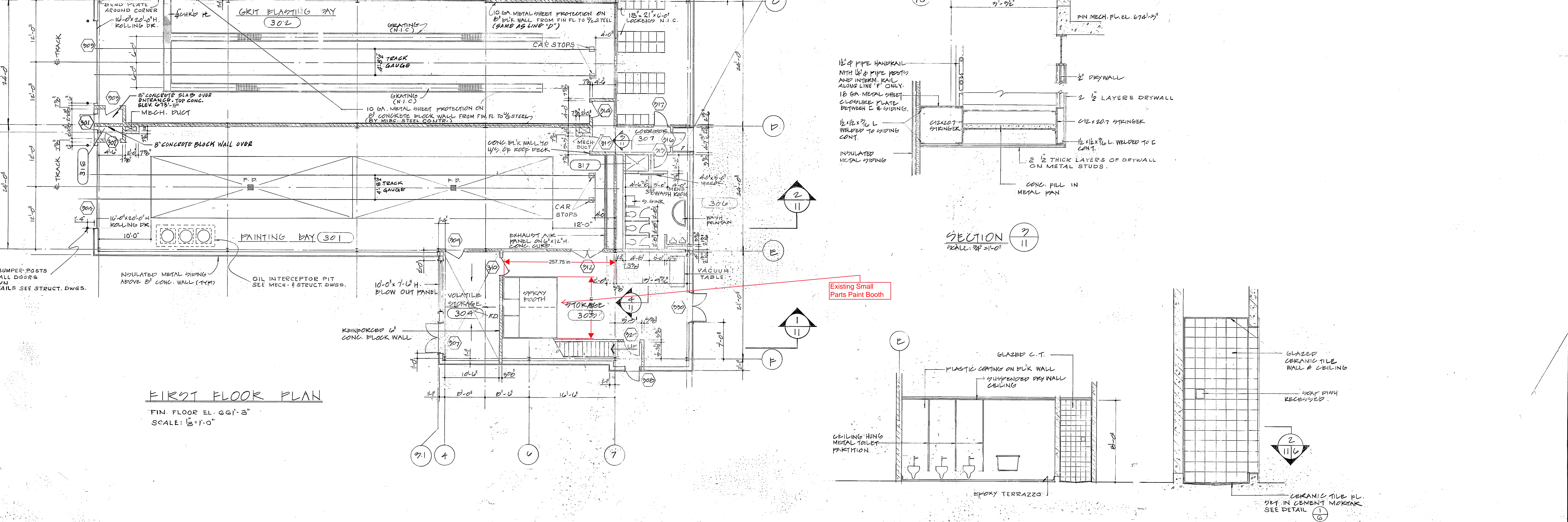
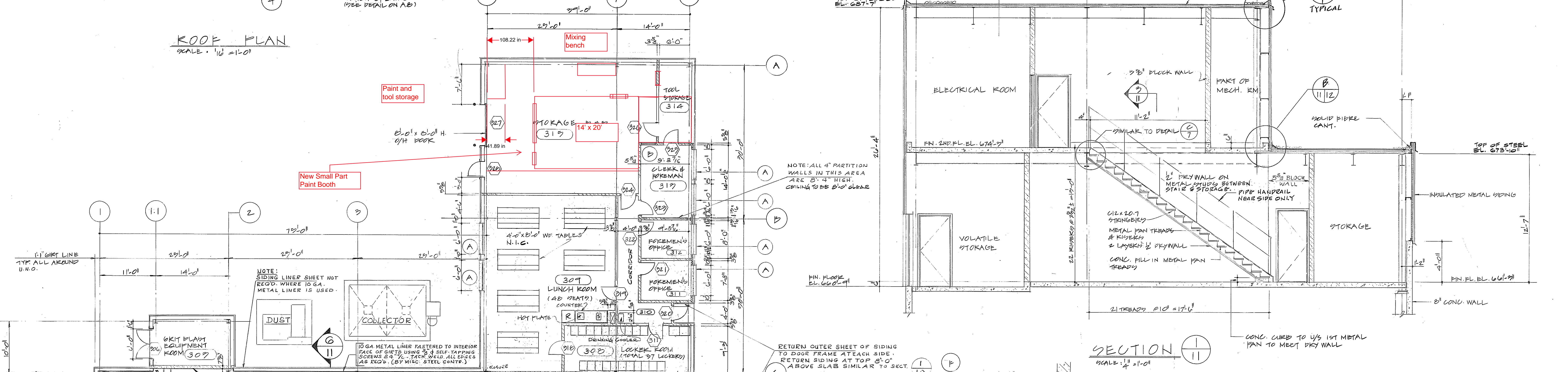
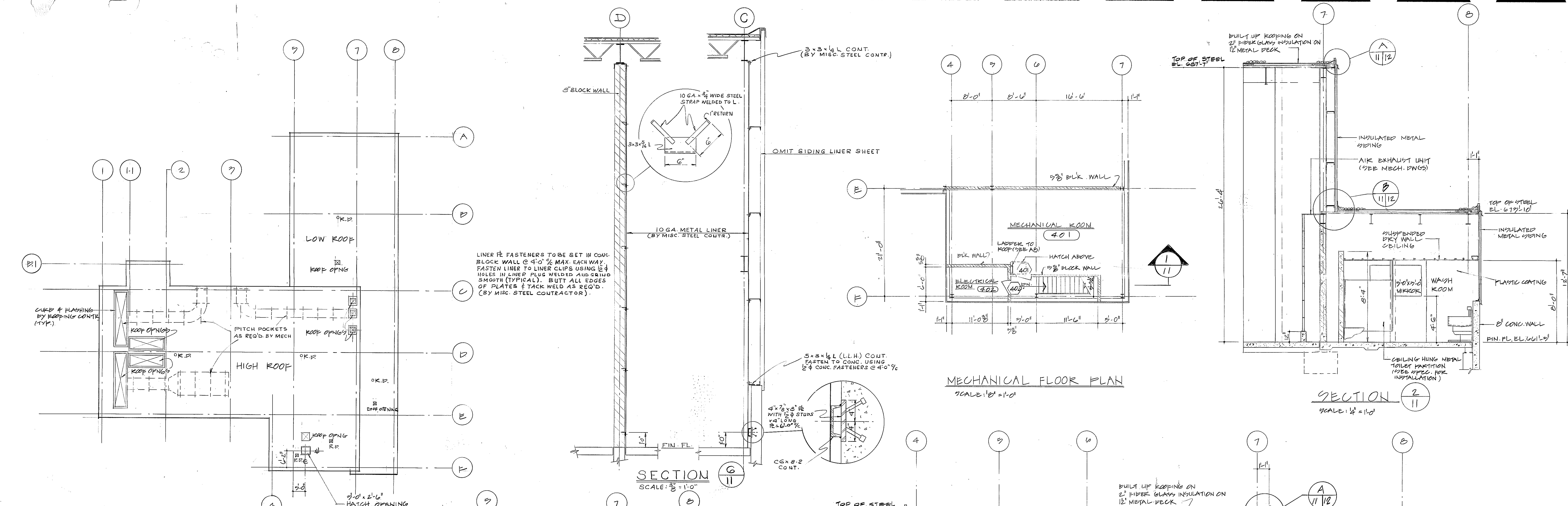


Project 3: Small Parts Spray Booth

notes and reference drawings
 ALL BLOCK WALLS SHALL BE 4" NOMINAL UNLESS NOTED OTHERWISE.
 FOR LOCATIONS & SIZES OF ROOF OPENINGS REFER MECHANICAL DWGS.



no.	date	description	drawn	checked	approved
C	02/17/78	AS BUILT			
D	10-2-78	REVISED DRAWING VOLUNTARILY AREA CONFORMING TO 303 AND 307 WALLS AND 307 IN POSSIBLE OFFICE CORPUSCULES (SEE 303/307)			
A	03/27/78	Issued for General Contract Order			

T. J. SHERMAN
 ARCHITECT
 PROFESSIONAL SOCIETY OF ONTARIO

COLE, SHERMAN & ASSOC. LIMITED
 TORONTO, ONTARIO

ONTARIO NORTHLAND RAILWAY
NORTH BAY YARD
CONSOLIDATION OF REPAIR FACILITIES

PAINT SHOP

ARCHITECTURAL
 drawing title
FLOOR AND ROOF PLAN, ELEVATION, SECTIONS AND DETAILS

designed by	D.Y.	checked by	F.N.	date	MARCH 74
drawn by	D.Y.	approved by	T.J.S.		
scale	AS SHOWN	draw. status	drawing number	rev. no.	
project number	5473		5473-A11	C	